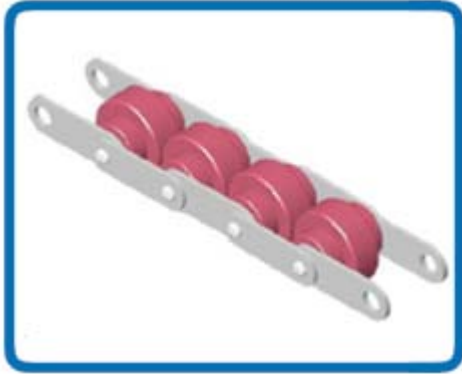
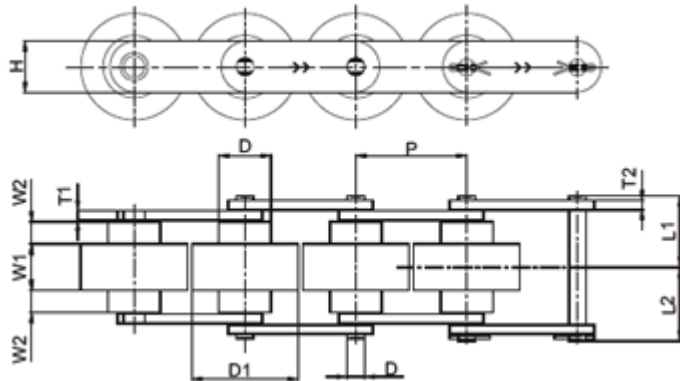




SIDE ROLLER CHAINS



DOUBLE PLUS CHAINS



Intl. Ref. No.	ROMBO Chain No.	Pitch (P)	(D)	(D1)	(W1)	(W2)	(T1)	(T2)	(H)	(D)	(L1)	(L2)	Avg. Weight Per Metre (Kg)
C2040	A08A01 DP 01	25.40	15.88	24.60	10.30	5.70	1.50	1.50	11.66	3.97	15.30	16.50	1.00
C2050	A10201 DP 01	31.75	19.05	30.60	13.00	7.10	2.00	2.00	14.58	5.09	19.15	19.85	1.40
C2060 H	A12Z 01 00 05	38.10	22.23	36.60	15.50	8.50	3.15	3.15	18.06	5.94	24.50	26.40	2.40

Note : Chains with large rollers are also available on request

TIDC India e-mail : exports@tidc.murugappa.com