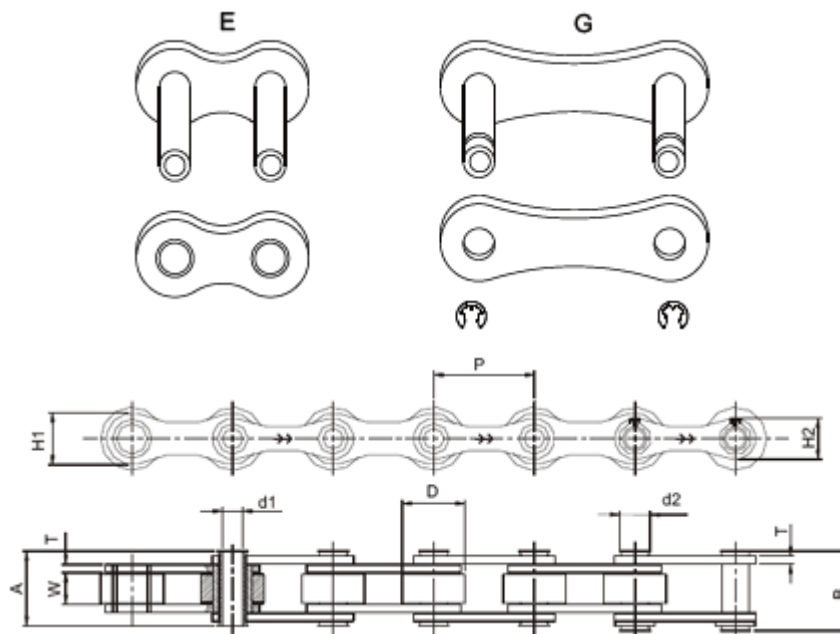




## HOLLOW PIN CHAINS

### Large Roller Chains

ROMBO Chain No.	Pitch (P)	Width between Inner Plates (W) (Min)	Roller Dia (D) (Max)	Plate Height (H) (Max)	Pin Inner Diameter (d1) (Min)	Pin outer Diameter (d2)	Pin Length (A) (Max)	Avg. Weight Per Metre (Kg)	Tensile Strength (KN) Min	End Condition
A 102 02 HP 01	31.75	9.40	19.05	15.09	5.16	7.02	20.5	1.26	16.00	G
A 121 02 HP 01	15.875	12.57	22.23	18.06	5.99	8.38	25.5	1.38	22.70	G
A 161 02 HP 01	38.1	15.75	28.58	24.05	8.02	11.38	32.5	3.17	41.14	G



### TYPE 5 - WITH CARRIER ROLLERS

ROMBO Chain No.	Pitch (P)	Width between Inner Plates (W) (Min)	Roller Dia (D) (Max)	Pin Inner Diameter (d1) (Min)	Pin outer Diameter (d2)	Plate Width IP (H1) (Max)	Plate Width OP (H2) (Max)	Inner Plate Thickness (T)	Width Over Bearing Pin (A) (Max)	Width Over Joint Fasteners (B) (Max)	Average Weight Per Metre (Kg)	Tensile Strength (KN) Min
U 25401 HP 01	25.40	8.00	20.00	5.20	8.00	17.20	15.20	2.00	19.50	20.65	1.23	24.52
U 38101 HP 01	38.10	8.00	20.00	5.20	8.00	17.20	15.20	2.00	19.50	20.65	0.95	27.46
U 38101 HP 05 *	38.10	12.70	25.40	8.30	11.62	21.20	21.20	2.40	26.50	28.50	2.11	30.01
U50001 HP 02**	50.00	10.00	30.00	8.30	11.62	26.20	21.20	3.00	26.50	28.50	0.98	50.02
U50801 HP 01**	50.80	10.00	30.00	8.30	11.62	26.20	26.20	3.00	26.50	28.50	2.12	50.02
U50801 HP 02**	50.80	10.00	30.00	8.30	11.62	26.20	21.20	3.00	26.50	28.50	2.13	50.02
U 63001 HP 01	63.00	10.00	30.00	8.30	11.62	26.20	26.20	3.00	26.50	28.50	2.00	50.02
U 63005 HP 01 *	63.00	15.00	40.00	12.10	16.00	28.70	28.70	4.00	35.00	36.80	4.25	49.04

\* Straight Contour Chains

\*\* Stainless Steel Chains and Plastic Roller Chains are also available